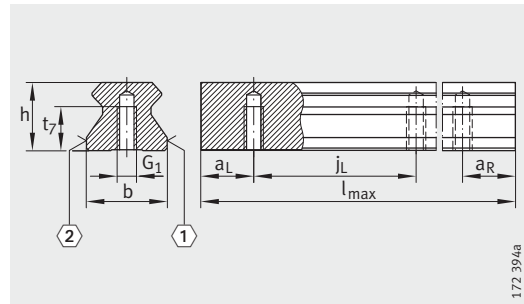


Linear recirculating roller bearing and guideway assemblies

Full complement
With chain guide

Linear recirculating roller bearing and guideway assemblies

Full complement
Standard and L carriages

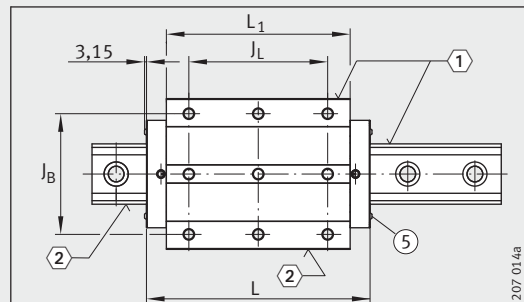


TSX...-E
①, ②⁶⁾

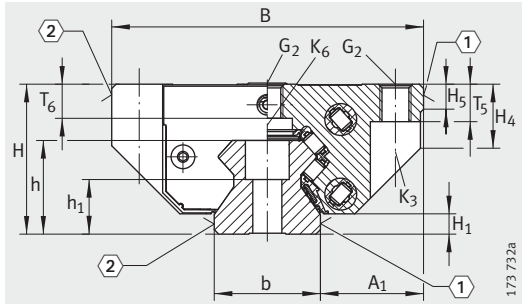
Dimension table · Dimensions in mm													
Designation	Dimensions				Mounting dimensions								
	$l_{max}^{1)}$	H	B	$L^{2)}$	A_1	J_B	b	L_1	J_L	J_{LZ}	j_L	$a_L, a_R^{3)}$	
							$-0,005$ $-0,035$					min.	max.
RUE25-D-FE ⁴⁾	1 980	36	70	91	23,5	57	23	65,6	45	40	30	20	23
RUE25-D-OE ⁵⁾													
RUE25-D-L-FE ⁴⁾				107				82,2					
RUE25-D-L-OE ⁵⁾													
RUE35-E	2 960	48	100	122,9	33	82	34	85,2	62	52	40	20	31
RUE35-E-L				148,7				111					
RUE45-E	2 940	60	120	145,9	37,5	100	45	104,2	80	60	52,5	20	41
RUE45-E-L				178,3				136,6					
RUE55-E	2 520	70	140	172,7	43,5	116	53	127	95	70	60	20	47
RUE55-E-L				210,7				165					
RUE65-E	2 520	90	170	195,5	53,5	142	63	141,2	110	82	75	20	61
RUE65-E-L				261,9				207,6					
RUE100-E-L	2 730	120	250	372,2	75	200	100	306,5	230	-	105	20	83

For further table values, see page 118 and page 119.

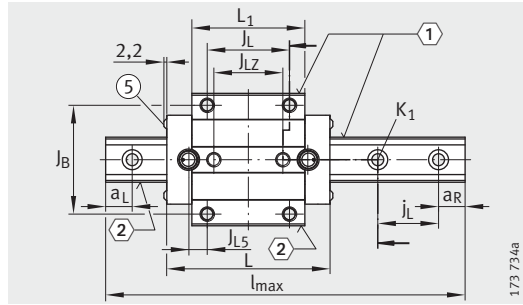
- 1) Maximum length of single-piece guideways. For permissible number of guideway pieces, see page 112. Maximum single-piece guideway length of 6 m available by agreement.
- 2) Minimum covered length for sealing the lubrication connectors.
- 3) a_L and a_R are dependent on the guideway length.
- 4) Grease lubrication.
- 5) Oil lubrication.
- 6) ① Locating face
② Marking
③ Screw plug, $M_A = 2,5$ Nm
④ Fixing screw, $M_A = 2,5$ Nm
⑤ Fixing screw



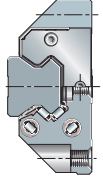
RUE100-E-L
①, ②, ⑤⁶⁾



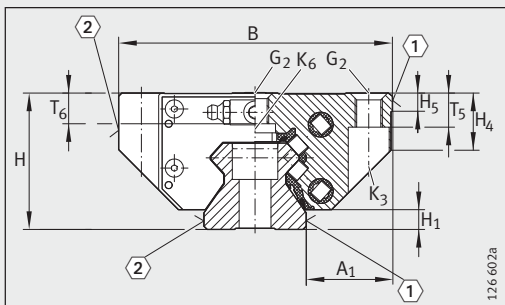
RUE...-E (-L)
①, ②, ⑥



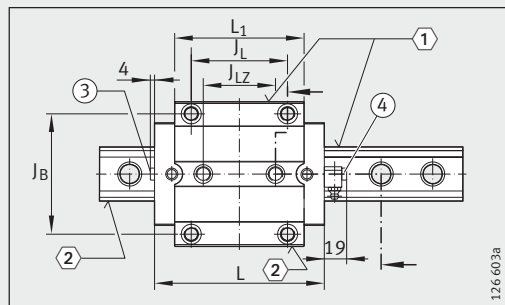
RUE...-E (-L) · View rotated 90°
①, ②, ⑤, ⑥



								Fixing screws									
H ₁	H ₅	H ₄	T ₅	T ₆	t ₇	h	h ₁	G ₁		G ₂		K ₁		K ₃		K ₆	
								DIN ISO 4 762-12.9									
								M _A	M _A	M _A	M _A	M _A	M _A	M _A	M _A	M _A	
								Nm	Nm	Nm	Nm	Nm	Nm	Nm	Nm	Nm	
6,5	7,5	17,5	10	8,65	12,5	22,3	14,3	M6	17	M8	24	M6	17	M6	17	M6	10
6,5	8	20,5	12	10,9	15	30	17,5	M8	41	M10	41	M8	41	M8	41	M8	24
8,5	8	26	15	13,2	20	38	19,5	M12	140	M12	83	M12	140	M10	83	M10	48
11	12	32	18	14,8	22	45	22,5	M14	220	M14	140	M14	220	M12	140	M12	83
11,5	15	39,2	23,3	23,3	25	53,8	28,8	M16	340	M16	220	M16	340	M14	220	M14	130
15	25	51,3	29	26,6	-	80	48	-	-	M20	470	M24	1100	M16	340	M16	220



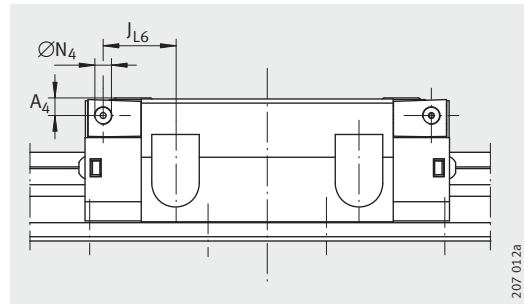
RUE25-D (-L)
①, ②, ⑥



RUE25-D (-L) · View rotated 90°
①, ②, ③, ④, ⑥

Linear recirculating roller bearing and guideway assemblies

Full complement
Standard and L carriages



Lubrication connector on lateral face

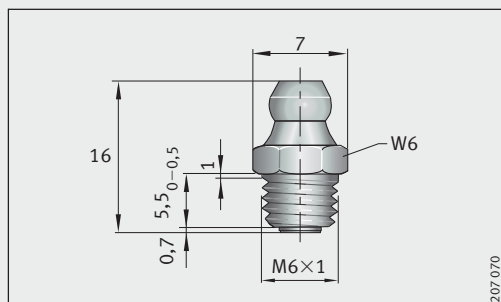
Dimension table (continued) · Dimensions in mm

Designation	Carriage		Guideway				Dimensioning of lubrication connectors			
	Designation	Mass m ≈ kg	Designation	Mass m ≈ kg/m	Closing plug	Covering strip		A ₃	N ₃ ³⁾	A ₄
						Adhesive bonded	Clip fit			
RUE25-D-FE	RWU25-D-FE	0,7	TSX25-D(-U)	3,3	KA11-TN	ADB13	ADB13-K	7,5	M6	-
RUE25-D-OE	RWU25-D-OE									
RUE25-D-L-FE	RWU25-D-L-FE									
RUE25-D-L-OE	RWU25-D-L-OE									
RUE35-E	RWU35-E	1,75	TSX35-E(-U)	5,9	KA15-TN	ADB18	ADB18-K	6,6	M6	5,6
RUE35-E-L	RWU35-E-L	2,29								
RUE45-E	RWU45-E	3,07	TSX45-E(-U)	9,4	KA20-TN	ADB23	ADB23-K	6,6	M6	6,6
RUE45-E-L	RWU45-E-L	4,05								
RUE55-E	RWU55-E	5,24	TSX55-E(-U)	13,1	KA24-TN	ADB27	ADB27-K	8,1	M6	8,1
RUE55-E-L	RWU55-E-L	6,83								
RUE65-E	RWU65-E	9,32	TSX65-E(-U)	21,5	KA26-TN	ADB29	ADB29-K	19,6	M6	19,6
RUE65-E-L	RWU65-E-L	13,8								
RUE100-E-L	RWU100-E-L	36,4	TSX100-E	45,3	KA40-M	-	-	10,6	M6	10,6

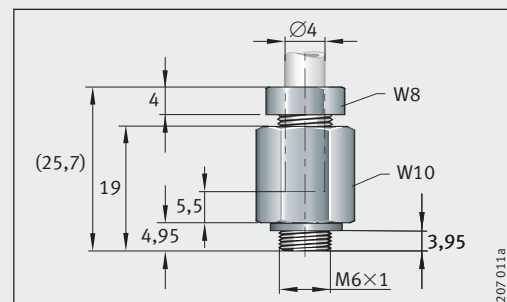
1) Maximum diameter of lubrication hole in adjacent construction.

2) Position of lubrication hole in adjacent construction.

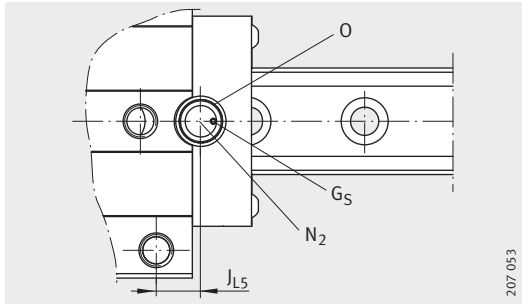
3) Maximum screw depth 6 mm.



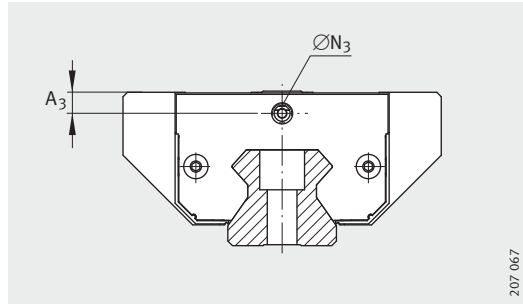
Lubrication nipple according to DIN 71412-A-M6,
Width across flats W = 6 mm



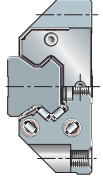
Connector with union nut,
width across flats W1 = 8 mm, W2 = 10 mm



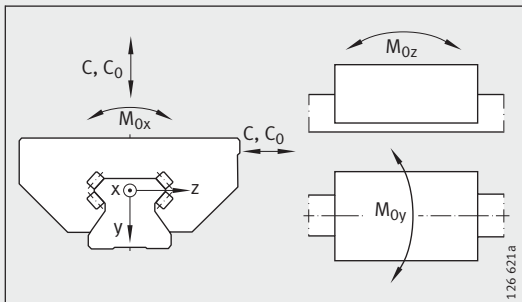
Lubrication connector in top face



Dimensioning of lubrication connector in end face



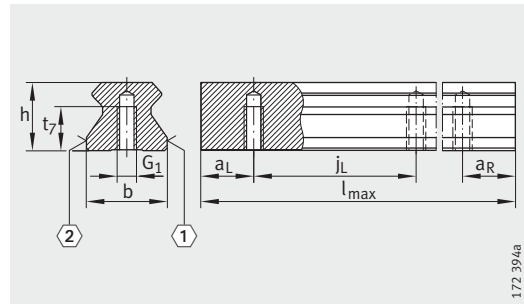
							Load carrying capacity				
N ₄	J _{L6}	N ₂ ¹⁾	J _{L5} ²⁾	G ₅		O DIN 3 771	Basic load ratings		Moment ratings		
				DIN EN ISO 4 026	DIN EN ISO 4 027		C	C ₀	M _{0x}	M _{0y}	M _{0z}
				N	N		Nm	Nm	Nm		
-	-	3	14,5	-	-	10X1,5	28 000	65 000	350	760	680
			23				33 500	82 000	440	1 200	1 080
M6	24,4	6	14,3	M2,5X3	-	10X1,5	59 000	140 000	1 200	2 150	1 950
	37,4		27,2				70 000	175 000	1 500	3 350	3 000
M6	27	6	15,7	M2,5X3	-	10X1,5	92 000	215 000	1 899	4 255	3 821
	43,2		31,9				114 000	285 000	2 503	7 263	6 536
M6	32,9	6	21,6	-	M4X4	10X1,5	136 000	320 000	3 287	7 404	6 667
	51,9		40,6				167 000	415 000	4 226	12 214	11 010
M6	34,8	6	15,6	-	M4X4	18X1,5	200 000	435 000	5 450	12 100	10 900
	68,1		48,8				270 000	640 000	7 600	24 000	21 500
∅5,6	65,1	6	47,15	-	M4X4	10X1,5	630 000	1 490 000	33 780	80 250	72 280



Load directions

Linear recirculating roller bearing and guideway assemblies

Full complement H and HL carriages

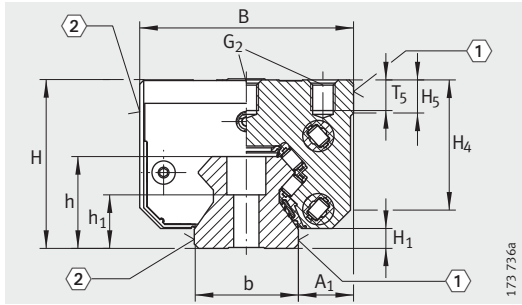


TSX..-E-U
①, ②⁶⁾

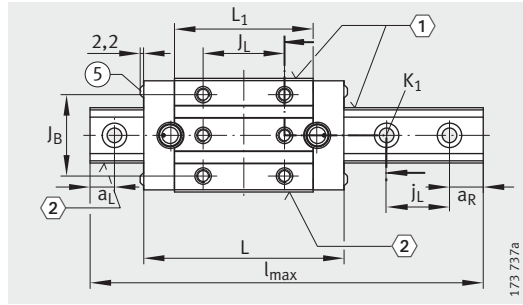
Dimension table · Dimensions in mm												
Designation	Dimensions				Mounting dimensions							
	$l_{max}^{1)}$	H	B	$L^{2)}$	A_1	J_B	b	L_1	J_L	j_L	$a_L, a_R^{3)}$	
							$-0,005$ $-0,035$				min.	max.
RUE25-D-H-FE⁴⁾	1 980	40	48	90,6	12,5	35	23	65,6	35	30	20	23
RUE25-D-H-OE⁵⁾												
RUE25-D-HL-FE⁴⁾				107				82,2	50			
RUE25-D-HL-OE⁵⁾												
RUE35-E-H	2 960	55	70	122,9	18	50	34	85,2	50	40	20	31
RUE35-E-HL				148,7				111	72			
RUE45-E-H	2 940	70	86	145,9	20,5	60	45	104,2	60	52,5	20	41
RUE45-E-HL				178,3				136,6	80			
RUE55-E-H	2 520	80	100	172,7	23,5	75	53	127	75	60	20	47
RUE55-E-HL				210,7				165	95			
RUE65-E-H	2 520	100	126	195,5	31,5	76	63	141,2	70	75	20	61
RUE65-E-HL				261,9				207,6	120			

For further table values, see page 122 and page 123.

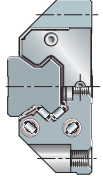
- 1) Maximum length of single-piece guideways. For permissible number of guideway pieces, see page 112.
Maximum single-piece guideway length of 6 mm available by agreement.
- 2) Minimum covered length for sealing the lubrication connectors.
- 3) a_L and a_R are dependent on the guideway length.
- 4) Grease lubrication.
- 5) Oil lubrication.
- 6) ① Locating face
② Marking
③ Screw plug, $M_A = 2,5 \text{ Nm}$
④ Fixing screw, $M_A = 2,5 \text{ Nm}$
⑤ Fixing screw



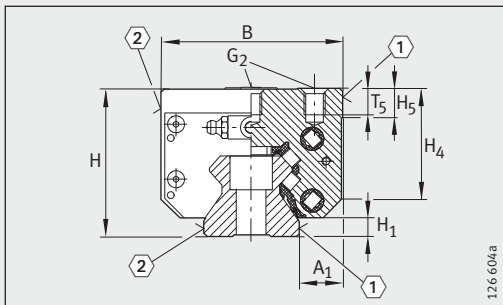
RUE..-E-H (-HL)
①, ②⁶⁾



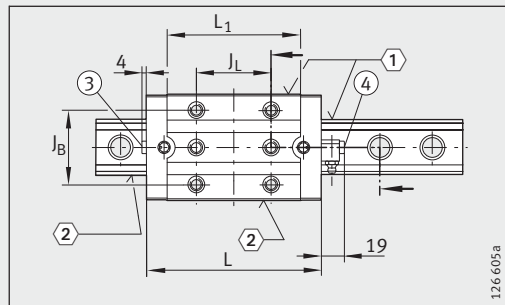
RUE..-E-H (-HL) · View rotated 90°
①, ②, ⑤⁶⁾



							Fixing screws					
H ₁	H ₅	H ₄	T ₅	t ₇	h	h ₁ ±0,5	G ₁		G ₂		K ₁	
							DIN ISO 4 762-12.9					
6,5	7,5	32,5	7,5	12,5	22,3	11,8	M6	17	M6	17	M6	17
6,5	10,8	41,9	10	15	30	17,5	M8	41	M8	41	M8	41
8,5	13,7	52,4	12,5	20	38	19,5	M12	140	M10	83	M12	140
11	16	61,4	15	22	45	22,5	M14	220	M12	140	M14	220
11,5	15	71,2	20	25	53,8	28,8	M16	340	M14	220	M16	340



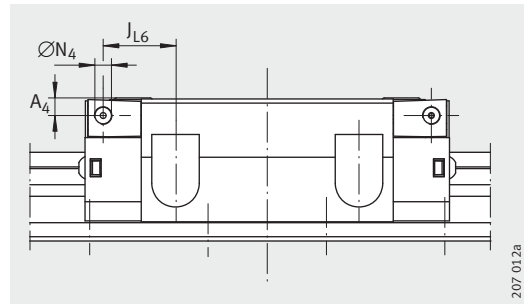
RUE25-D-H (-HL)
①, ②⁶⁾



RUE25-D-H (-HL) · View rotated 90°
①, ②, ③, ④⁶⁾

Linear recirculating roller bearing and guideway assemblies

Full complement H and HL carriages



Lubrication connector on lateral face

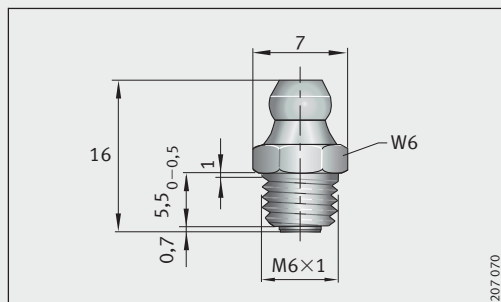
Dimension table (continued) - Dimensions in mm

Designation	Carriage		Guideway				Dimensioning of lubrication connectors			
	Designation	Mass m ≈kg	Designation	Mass m ≈kg/m	Closing plug	Covering strip		A ₃	N ₃ ³⁾	A ₄
						Adhesive bonded	Clip fit			
RUE25-D-H-FE	RWU25-D-H	0,6	TSX25-D(-U)	3,3	KA11-TN	ADB13	ADB13-K	11,5	M6	-
RUE25-D-H-OE										
RUE25-D-HL-FE	RWU25-D-HL	0,8								
RUE25-D-HL-OE										
RUE35-E-H	RWU35-E-H	1,67	TSX35-E(-U)	5,9	KA15-TN	ADB18	ADB18-K	13,6	M6	12,6
RUE35-E-HL	RWU35-E-HL	2,14								
RUE45-E-H	RWU45-E-H	3,05	TSX45-E(-U)	9,4	KA20-TN	ADB23	ADB23-K	16,6	M6	16,6
RUE45-E-HL	RWU45-E-HL	3,95								
RUE55-E-H	RWU55-E-H	4,94	TSX55-E(-U)	13,1	KA24-TN	ADB27	ADB27-K	18,1	M6	18,1
RUE55-E-HL	RWU55-E-HL	6,34								
RUE65-E-H	RWU65-E-H	8,9	TSX65-E(-U)	21,5	KA26-TN	ADB29	ADB29-K	29,6	M6	29,6
RUE65-E-HL	RWU65-E-HL	12,89								

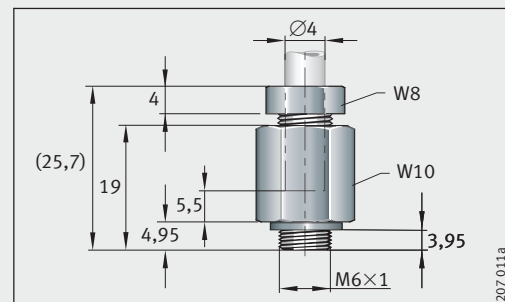
1) Maximum diameter of lubrication hole in adjacent construction.

2) Position of lubrication hole in adjacent construction.

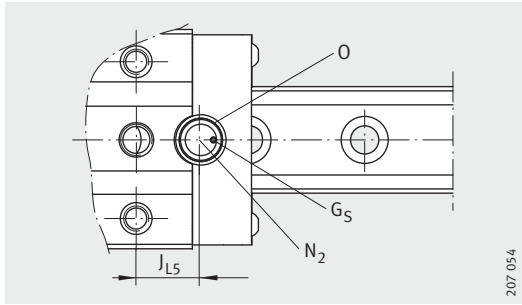
3) Maximum screw depth 6 mm.



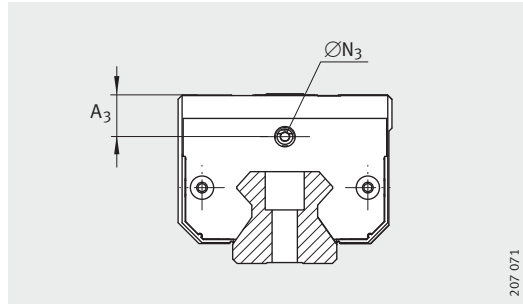
Lubrication nipple according to DIN 71412-A-M6, Width across flats W = 6 mm



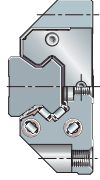
Connector with union nut, width across flats W1 = 8 mm, W2 = 10 mm



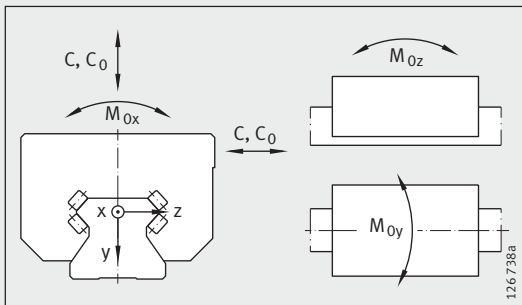
Lubrication connector in top face



Dimensioning of lubrication connector in end face



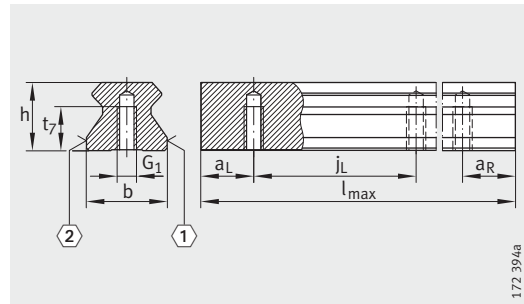
							Load carrying capacity				
N ₄	J _{L6}	N ₂ ¹⁾	J _{L5} ²⁾	G _S		O	Basic load ratings		Moment ratings		
				DIN EN ISO 4 026	DIN EN ISO 4 027	DIN 3 771	C	C ₀	M _{0x}	M _{0y}	M _{0z}
							N	N	Nm	Nm	Nm
-	-	3	19,5	-	-	10X1,5	28 000	65 000	350	760	680
			20,3				3 500	82 000	440	1 200	1 080
M6	30,4	6	20,3	M2,5X3	-	10X1,5	59 000	140 000	1 200	2 150	1 950
	32,4		70 000				175 000	1 500	3 350	3 000	
M6	37	6	25,7	M2,5X3	-	10X1,5	92 000	215 000	1 899	4 255	3 821
	43,2		114 000				285 000	2 503	7 263	6 536	
M6	42,9	6	31,6	-	M4X4	10X1,5	136 000	320 000	3 287	7 404	6 667
	51,9		167 000				415 000	4 226	12 214	11 010	
M6	54,8	6	35,6	-	M4X4	18X1,5	200 000	435 000	5 450	12 100	10 900
	63,1		270 000				640 000	7 600	24 000	21 500	



Load directions

Linear recirculating roller bearing and guideway assemblies

With chain guide
L and HL carriages

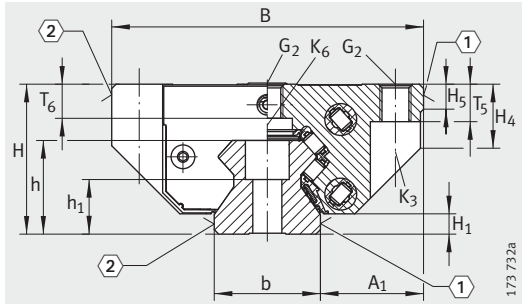


TSX..-E-U
①, ②⁴⁾

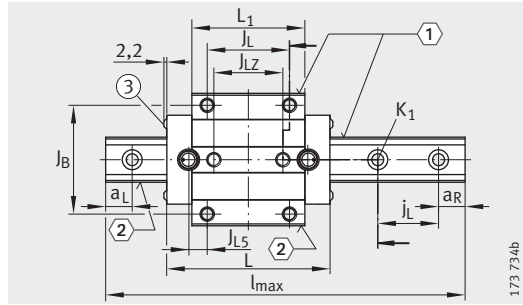
Dimension table · Dimensions in mm													
Designation	Dimensions				Mounting dimensions								
	$l_{max}^{1)}$	H	B	$L^{2)}$	A_1	J_B	b <small>-0,005 -0,035</small>	L_1	J_L	J_{LZ}	j_L	$a_L, a_R^{3)}$	
												min.	max.
RUE35-E-KT-L	2 960	48	100	148,7	33	82	34	111	62	52	40	20	31
RUE35-E-KT-HL		55	70		18	50			72	-			
RUE45-E-KT-L	2 940	60	120	178,3	37,5	100	45	136,6	80	60	52,5	20	41
RUE45-E-KT-HL		70	86		20,5	60			-				
RUE55-E-KT-L	2 520	70	140	210,7	43,5	116	53	165	95	70	60	20	47
RUE55-E-KT-HL		80	100		23,5	75			-				

For further table values, see page 126 and page 127.

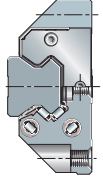
- 1) Maximum length of single-piece guideways. For permissible number of guideway pieces, see page 112. Maximum single-piece guideway length of 6 m available by agreement.
- 2) Minimum covered length for sealing the lubrication connectors.
- 3) a_L and a_R are dependent on the guideway length.
- 4) ① Locating face
② Marking
③ Fixing screw



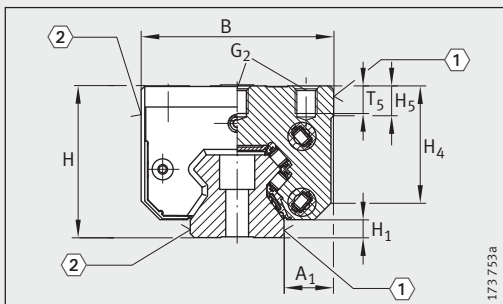
RUE...-E-KT-L
①, ②, ④



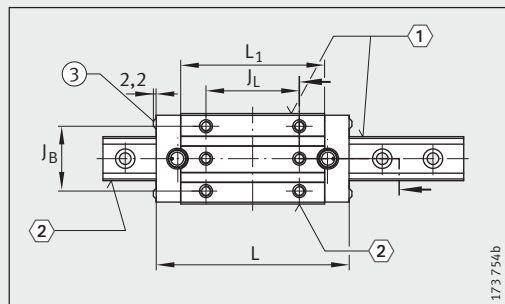
RUE...-E-KT-L · View rotated 90°
①, ②, ③, ④



									Fixing screws									
H ₁	H ₅	H ₄	T ₅	T ₆	t ₇	h	h ₁	±0,5	G1		G2		K1		K3		K6	
									DIN ISO 4 762-12.9								DIN 7 984-8.8	
									M _A Nm		M _A Nm		M _A Nm		M _A Nm		M _A Nm	
6,5	8	20,5	12	10,9	15	30	17,5	M8	41	M10	41	M8	41	M8	41	M8	24	
	10,8	41,9	10	-						-				-	-			
8,5	8	26	15	13,2	20	38	19,5	M12	140	M12	83	M12	140	M10	83	M10	48	
	13,7	52,4	12,5	-						-				-	-			
11	12	32	18	14,8	22	45	22,5	M14	220	M14	140	M14	220	M12	140	M12	83	
	16	61,4	15	-						-				-	-			



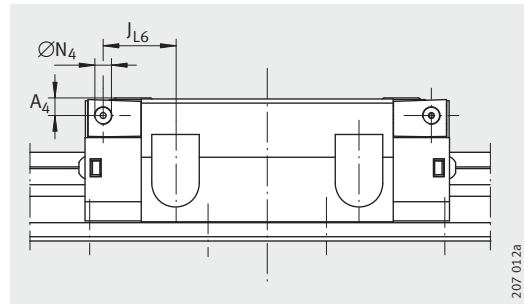
RUE...-E-KT-HL
①, ②, ④



RUE...-E-KT-HL · View rotated 90°
①, ②, ③, ④

Linear recirculating roller bearing and guideway assemblies

With chain guide
L and HL carriages



Lubrication connector on lateral face

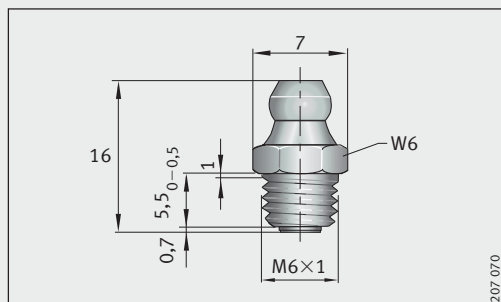
Dimension table (continued) · Dimensions in mm

Designation	Carriage		Guideway				Dimensioning of lubrication connectors			
	Designation	Mass m ≈ kg	Designation	Mass m ≈ kg/m	Closing plug	Covering strip		A ₃	N ₃ ³⁾	A ₄
						Adhesive bonded	Clip fit			
RUE35-E-KT-L	RWU35-E-KT-L	2,28	TSX35-E(-U)	5,9	KA15-TN	ADB18	ADB18-K	6,6	M6	5,6
RUE35-E-KT-HL	RWU35-E-KT-HL	2,14						13,6		12,6
RUE45-E-KT-L	RWU45-E-KT-L	3,97	TSX45-E(-U)	9,4	KA20-TN	ADB23	ADB23-K	6,6	M6	6,6
RUE45-E-KT-HL	RWU45-E-KT-HL	3,99						16,6		16,6
RUE55-E-KT-L	RWU55-E-KT-L	6,72	TSX55-E(-U)	13,1	KA24-TN	ADB27	ADB27-K	8,1	M6	8,1
RUE55-E-KT-HL	RWU55-E-KT-HL	6,23						18,1		18,1

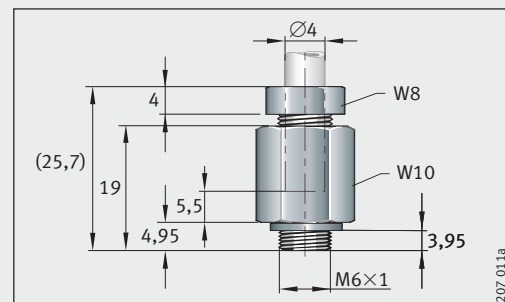
1) Maximum diameter of lubrication hole in adjacent construction.

2) Position of lubrication hole in adjacent construction.

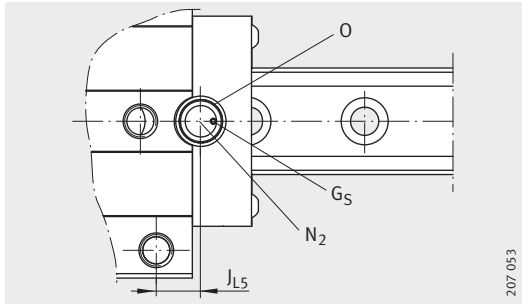
3) Maximum screw depth 6 mm.



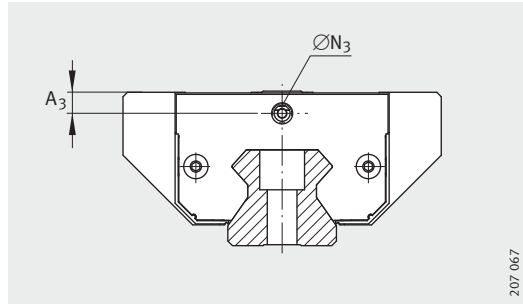
Lubrication nipple according to DIN 71412-A-M6,
Width across flats W = 6 mm



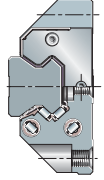
Connector with union nut,
width across flats W1 = 8 mm, W2 = 10 mm



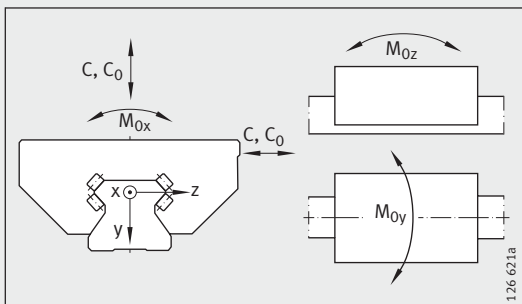
Lubrication connector in top face



Dimensioning of lubrication connector in end face



							Load carrying capacity				
N ₄	J _{L6}	N ₂ ¹⁾	J _{L5} ²⁾	G _S		O	Basic load ratings		Moment ratings		
				DIN EN ISO 4 026	DIN EN ISO 4 027	DIN 3 771	C	C ₀	M _{0x}	M _{0y}	M _{0z}
				N	N	Nm	Nm	Nm			
M6	37,4	6	27,2	M2,5X3	-	10X1,5	54 000	126 000	1 100	2 500	2 250
	32,4		22,2								
M6	43,2	6	31,9	M2,5X3	-	10X1,5	92 000	214 000	1 833	4 528	4 077
	43,2										
M6	51,9	6	40,6	-	M4X4	10X1,5	138 000	325 000	3 279	9 447	8 497
	51,9										



Load directions